

# Texture Hopper

311534B

- Gravity feed hopper for high production painting and plastering applications -

**Model 287987**

**Includes Instructions for Conversion Kits:**

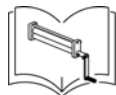
**Model 243392**

**Model 243380**



**Important Safety Instructions**

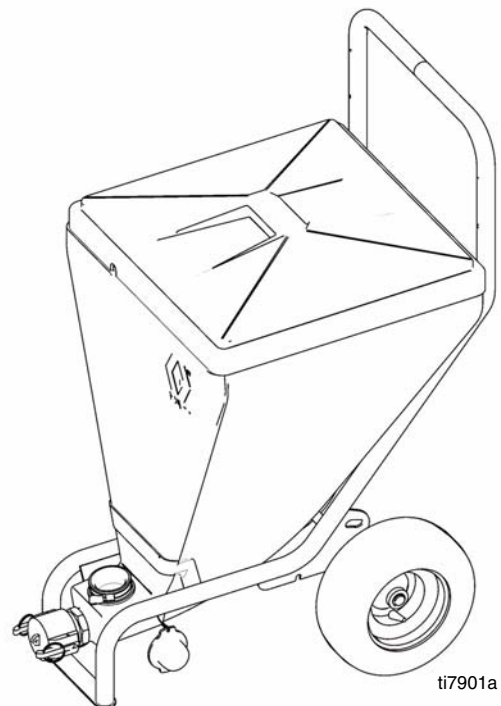
Read all warnings and instructions in 311421 manual.  
Save these instructions



**311535**

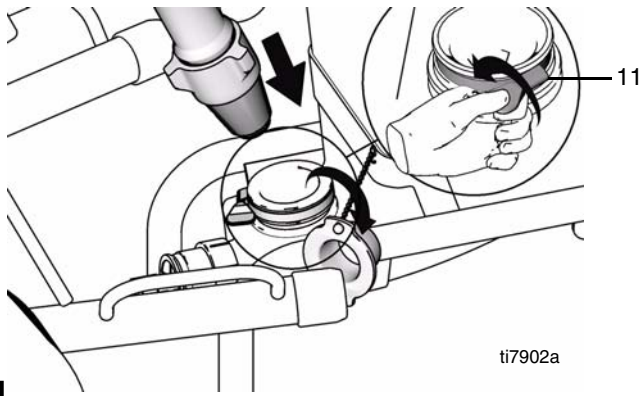


**311421**



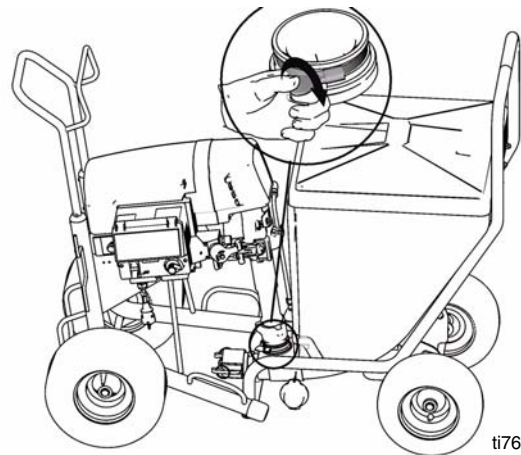
ti7901a

**PROVEN QUALITY. LEADING TECHNOLOGY.**



ti7902a

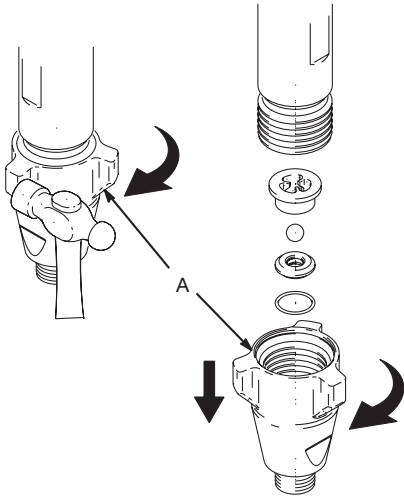
1



ti7691a

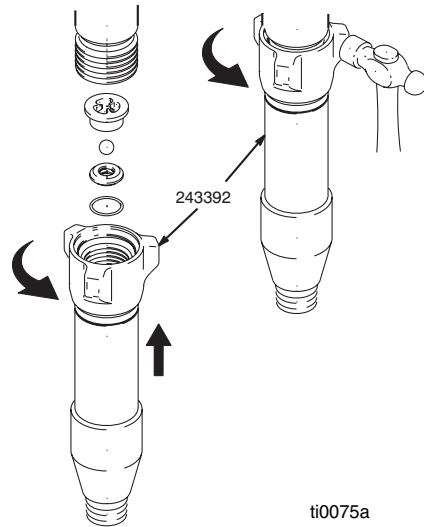
2

**243392: Ultra Max 1595, GMax 5900 Hi-Boy**



ti0074a

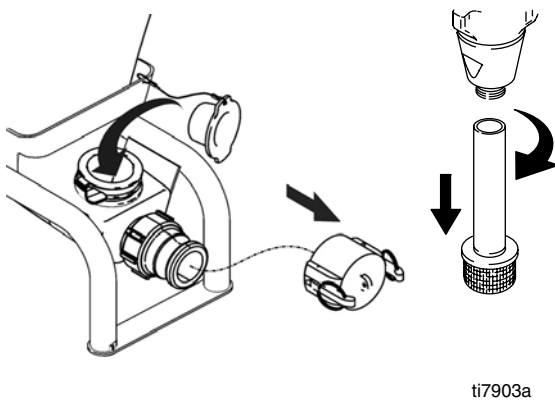
3



ti0075a

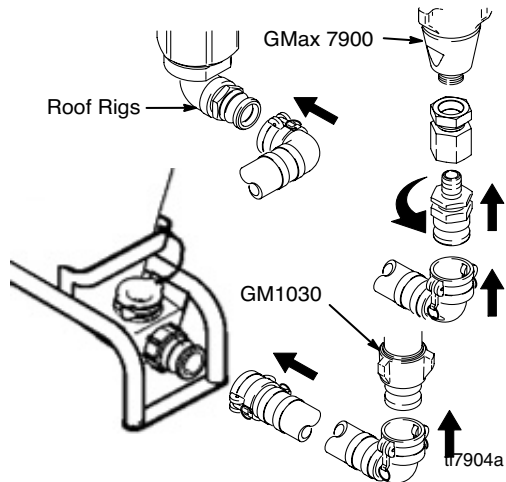
4

**243380: GM1030, GMax7900, Roof Rigs**



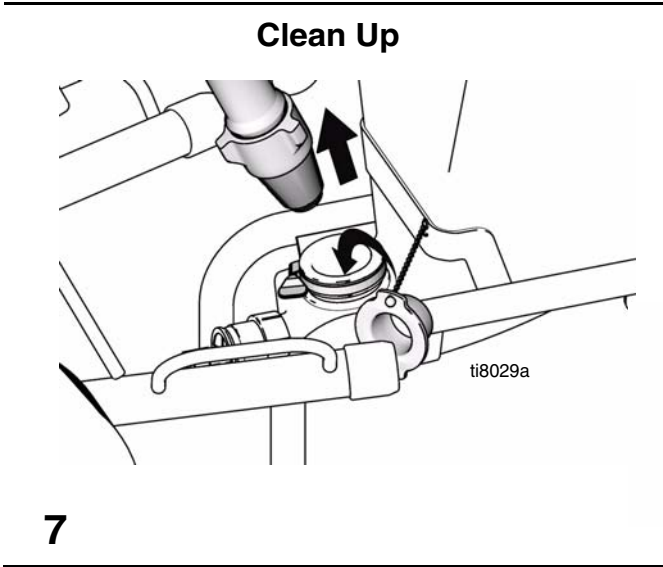
ti7903a

5

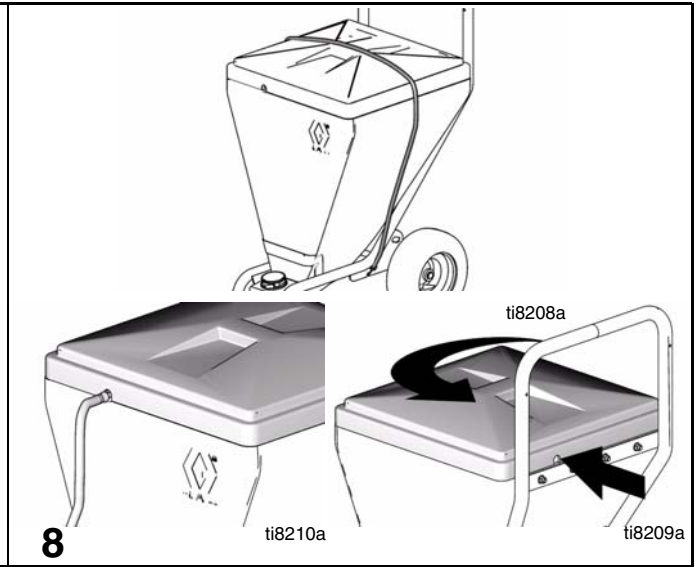


ti7904a

6



7



8

## Set Up

- 1 Remove texture hopper from crate.
- 2 Reference Parts, page 5. Replace sprayer drain hose with drain hose kit shipped with texture hopper. Remove pail holder from sprayer, if applicable.
- 3 Install plug (10).

## Mounting Texture Hopper on Sprayer

- 1 Fig. 1. Install 45° elbow (26\*) to sprayer paint outlet.  
\*Use 45° elbow 15J002 for Mark X. Elbow 15J002 comes in Mark X parts box.
- 2 Remove strainer.
- 3 Remove plug (12).
- 4 Loosen hose clamp (11).
- 5 Fig. 2. Lift sprayer front end. Roll sprayer until pump is over opening on texture hopper. Lower sprayer pump into opening, tighten clamp.

## Clean Up

- 1 Scrub hopper with water and long-handled brush.

### CAUTION

Sharp corners of scrapers can gouge the plastic of the hopper and, in time, cause leaks.

- 2 Scrape dry, hard material in hopper with plastic scraper.
- 3 Flush residue with water.

English

## Conversion Kit 243392: Ultra Max 1595 and GMax 5900 Hi-Boy

- 1 Fig. 3. Remove foot valve (A) from pump.
- 2 Fig. 4. Install Conversion Kit 243392 onto pump.

## Hose Kit 243380: GM1030, GMax 7900 and Roof Rigs


- 1 Fig. 5. Remove suction tube and screen from pump and plug (10) from hopper. Install plug (12).
- 2 Fig. 6. Install 90° connector to pump and straight connector to hopper.

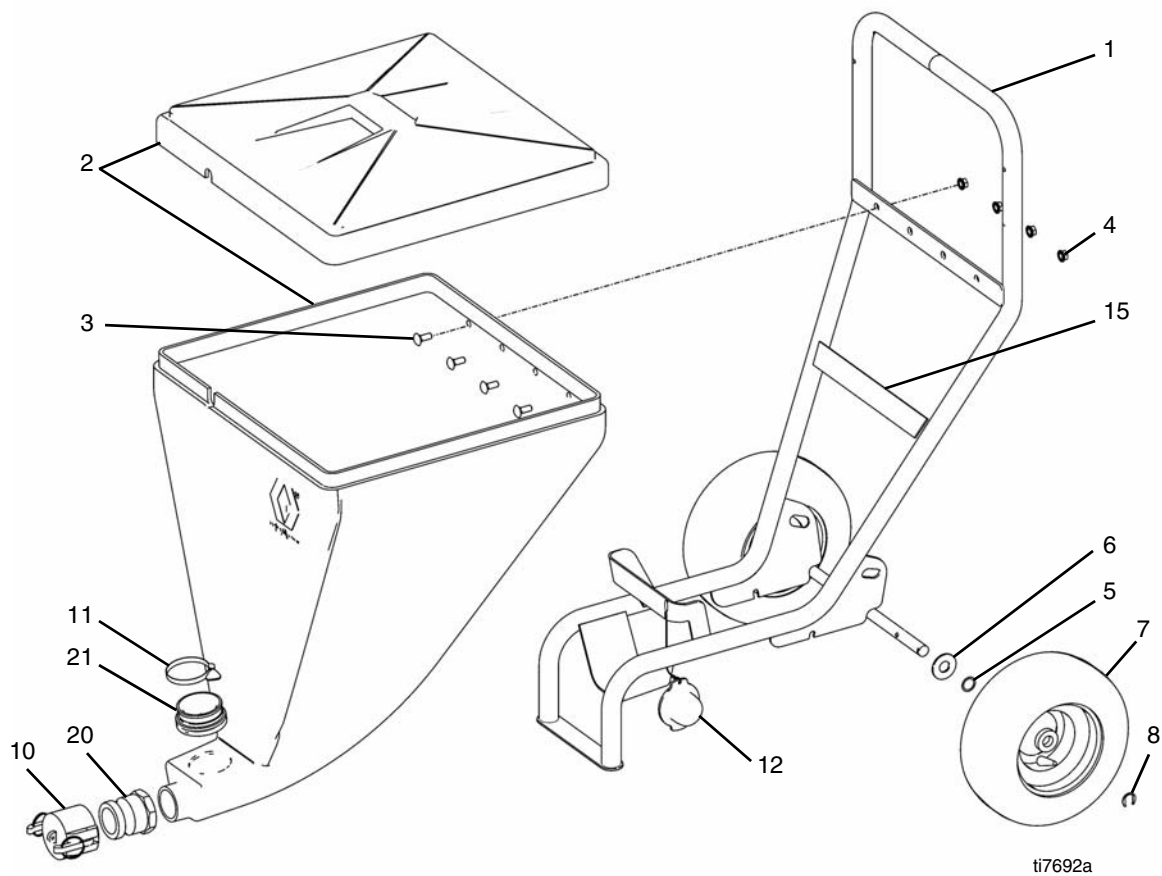
## Transport

- 1 Fig. 7. Loosen hose clamp (11).
- 2 Pull sprayer up and back from texture hopper.
- 3 Install plug (12).

## Tips

- Fig. 8. Secure lid with elastic cord in slots in gussets.
- Rotate cover 180° when drain hose is removed.

 For GH833, also purchase union swivel 11864 (if swivel is desired) and bushing 1095050.



Ref	Part	Description	Qty	Ref	Part	Description	Qty
1	288602	Frame, hopper, painted	1	13	15B746	HOSE, drain, not shown	1
2	287969	HOPPER, 25 gallons; includes 22, 23, 24, 25	1	14	241920	DEFLECTOR, threaded, not shown	1
3	113956	BOLT, carriage	4	15	189919	BLANK, label, kit	1
4	112958	NUT, HEX, flanged	4	20	15A562	COUPLER	1
5	116038	WASHER, wave spring	2	21	194420	GROMMET	1
6	156306	WASHER, flat	2	26	116756	ELBOW, 45° (not shown)	1
7	119420	WHEEL, pneumatic	2				
8	15E891	CLIP, retaining	2				
10	115735	PLUG, hopper	1				
11	15H631	CLAMP, hose	1				
12	15H635	PLUG, hopper	1				

TO PLACE AN ORDER, contact your Graco distributor, or call **1-800-690-2894** to identify the nearest distributor.

This manual contains English: mm 311534

**Graco Headquarters:** Minneapolis  
**International Offices:** Belgium, China, Japan, Korea  
**GRACO INC. P.O. BOX 1441 MINNEAPOLIS, MN 55440-1441**  
[www.graco.com](http://www.graco.com)  
 6/2006, Revised 11/2007