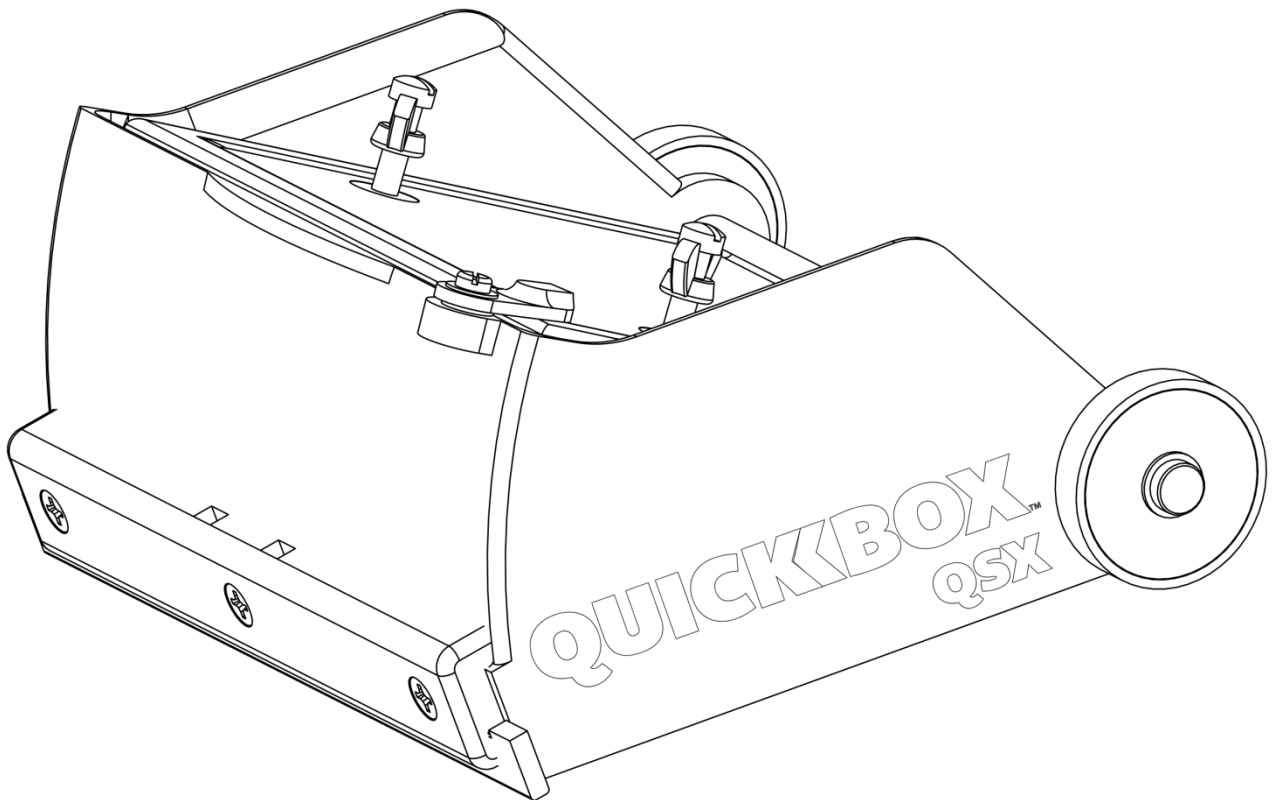


QuickBox[®] QSX

Operation and Maintenance Guide

Better – Faster – Every time

Models: QB06-QSX, QB08-QSX



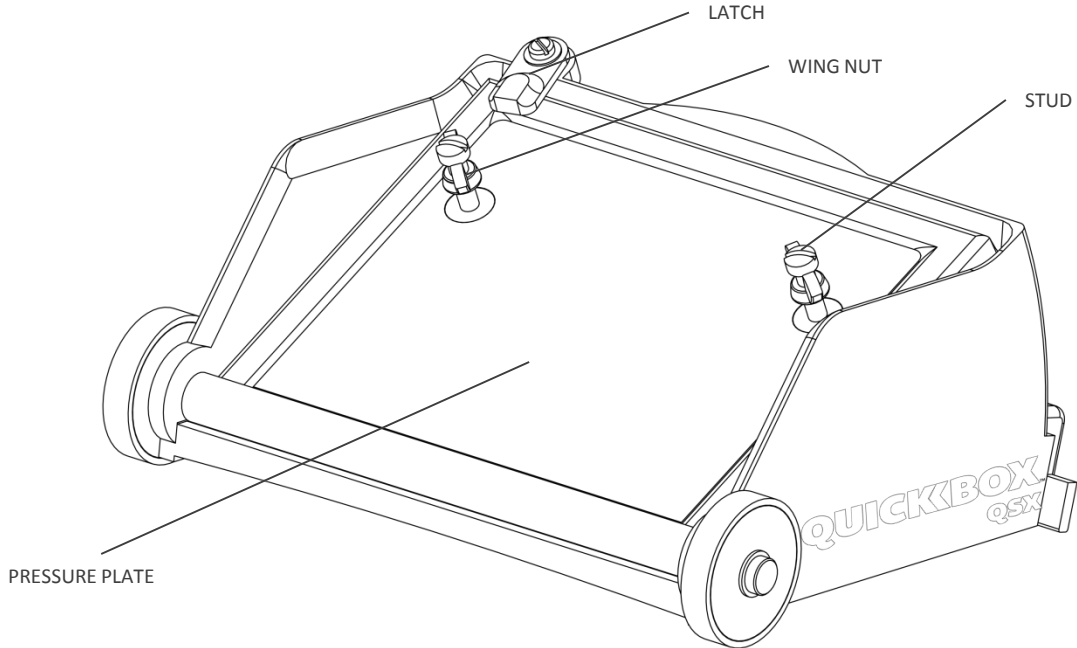
**BETTER
FASTER
EVERY TIME**

QuickBox® QSX

Operation and Maintenance Guide

Better – Faster – Every time

Models: QB06-QSX, QB08-QSX



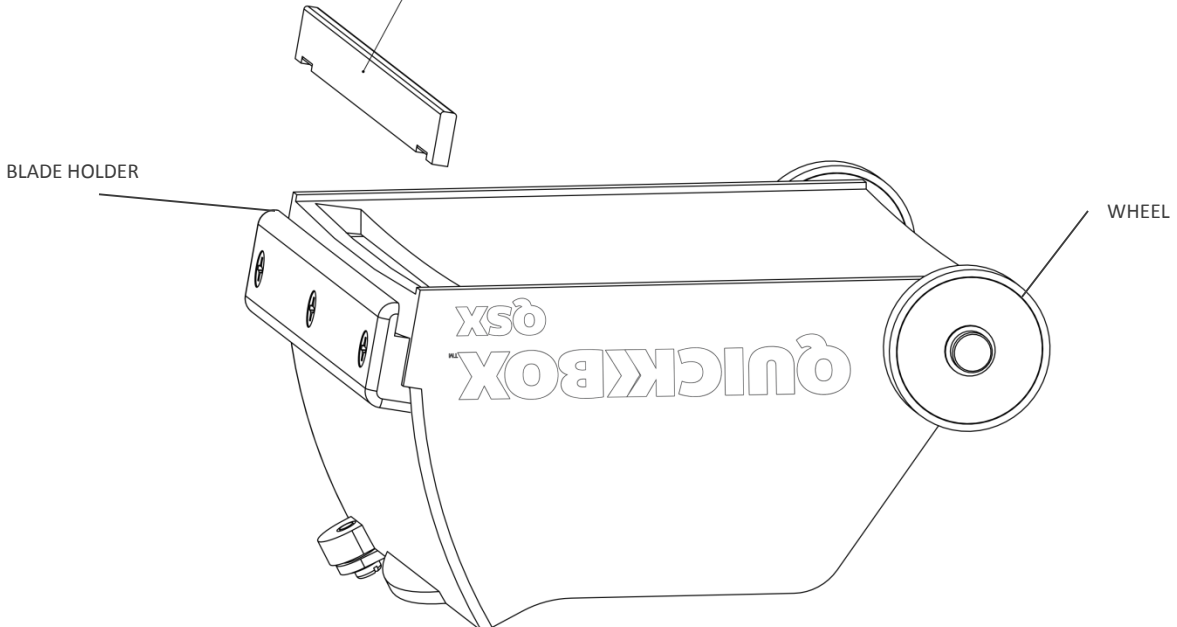
REPLACEABLE BLADES

WHITE: CROWNED FINISHING

BLACK: FLAT FINISHING

YELLOW: CROWNED FOR USE IN EXTERIOR SEAMING APPLICATIONS

GREEN: NOTCHED FOR ADHESIVE APPLICATIONS



Models: QB06-QSX, QB08-QSX

Operation

The QuickBox[®] QSX 6.25" or 8.5" finishing box is designed specifically for applying quick-setting joint compound over taped joints but can be used with any type of joint compound. The advanced polymer plastic construction makes it easy to remove even dried setting type compounds.

This tool requires little effort to operate and is designed to produce uniform results every time.

The QuickBox[®] QSX works with any standard finishing box handle. Finishing box handles come in multiple lengths from 34" to 72" as well as an XTender[®] Handle that adjusts between 41" and 63" and the Wizard[®] Compact Finishing Box handle. Any of these handles is easily attached to the QuickBox[®] QSX by sliding the box studs onto the handle and tightening the two wing nuts.

The QuickBox[®] QSX can be filled with joint compound three different ways:

- Through the opening behind the blade using the Loading Pump with the box filler attachment
- Drawing joint compound into a compound tube and filling the box by opening the pressure plate
- Using a knife to fill the box by opening the pressure plate on the back of the finishing box.

To apply compound, draw the box steadily along the joint while applying pressure with the handle. This dispenses compound through the opening at a steady rate. The tool is always run with the wheels leading and the blade trailing. The handle should lead the box, except at the end of joints.

There are four types of blades available for the QuickBox[®] QSX. Each blade has a specific purpose.

Black: Straight (no crown) for flat finishing or topping coats, as needed

White: .045 crown for the first embedding coat over the taped joint

Yellow: Crowned only in the middle. Designed for use in exterior seaming applications

Green: Notched. Designed for applying adhesives or for double layer gypsum applications

Before starting to run any joint, lock the box handle at a slight angle by squeezing the handle grip with one hand. Your other hand should grip the handle near the box.

Place the box at the end of the joint and apply pressure with the handle to start the compound flowing. Release the hand grip to unlock the handle and allow it to find its own natural position. Draw the tool along the joint, leading with the handle and applying pressure to distribute the joint compound onto the wallboard surface.

Near the middle of the joint, lock the handle and by gradually decreasing pressure, remove the box from the wallboard surface with a sweeping motion.

Reverse hand positions and begin again at the other end of the joint. Again draw the box along until you reach the previous stopping point. Lock the handle and remove the box from the surface with a sweeping motion. This procedure is followed for all ceiling joints and horizontal wall joints.

Operation (continued)

To cover vertical wall joints, lock the handle and begin covering the joint from the bottom up to a height of about 30" (.75 m), sweep off and begin again at the top of the joint.

Draw down the joint until you reach the previous stopping point. Then lock the handle and sweep off the surface, neatly joining the two finished sections.

For door or window openings, always work from the corner, moving toward the opening. Just before the wheels reach the opening, lock the handle and lift the wheels to keep them from dropping into the opening, then sweep away from the wall.

Use standard TapeTech finishing boxes (EasyClean®, MAXXBOX® or Power Assist® MAXXBOX®) to apply the finishing coats to all flat joints.

Maintenance

To open the box for cleaning, simply turn the latch on the back and pull open. Clean thoroughly with a brush and water (or a water hose) to remove all joint compound from the tool. If compound dries inside the QuickBox®, simply open the pressure plate and hit the sides of the box with a rubber mallet (or similar tool) to easily remove the compound from the box. Remove the blade and clean the blade holder. Then, after the tool is clean, lightly oil with TapeTech® Bazooka® Oil or any light machine oil.

QuickBox® Blade Replacement

1. To replace the blade, grab one of the ends of the blade and remove it from the blade holder. Insert a new blade and press it into place until it is fully seated.

Common Wear Parts

Description	QB06-QSX	QB08-QSX
Black Blade – Flat Finishing	QB6003-5	QB8003-5
White Blade – .045 Crowned Finishing	QB6023-5	QB8023-5
Yellow Blade – Exterior Seaming	QB6033-5	-
Green Blade - Notched	QB6043-5	QB8043-5